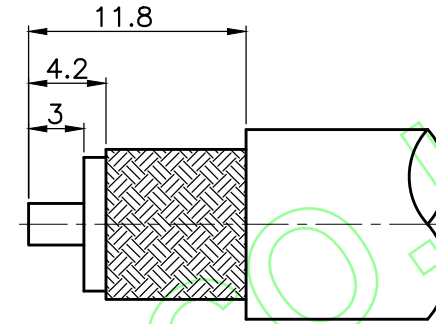


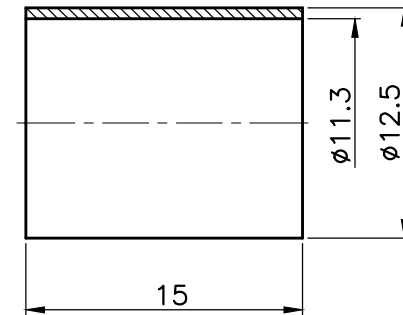
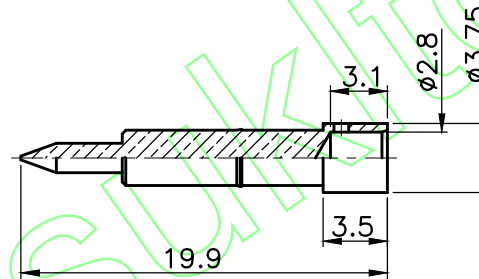
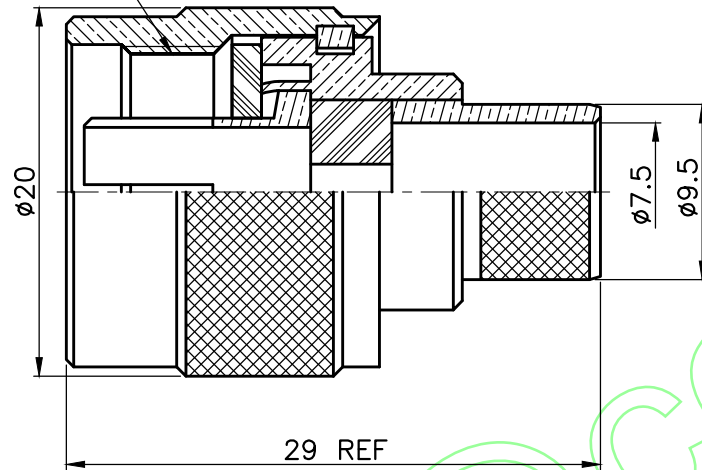
REVISIONS		
ISS	DESCRIPTION	DATE



RoHS COMPLIANT

RECOMMENDED
CABLE STRIPPING DIM'S

5/8-24UNEF-2B



1. CRIMPED FERRULE
HEX CRIMP SIZE .429"
2. CRIMPED CONTACT PIN
HEX CRIMP SIZE .128" OR SOLDER

CONNECTORS CABLES



SPECIALISTS LTD.

APRD:	UNLESS OTHERWISE SPECIFIED TOLERANCES 0.5-6 = ±0.2 >6-30 = ±0.4 >30-120 = ±0.6 >120-315 = ±1 >315-1000 = ±1.6 ANGLES = ±5°	FERRULE	BRASS	NICKEL
CHKD:		CONTACT PIN	BRASS	GOLD
DR:		SHELL	BRASS	NICKEL
TITLE: N MALE CRIMP (FOR LMR400,RA519,RG8)		C RING	BRASS	NONE
PART NO: NPCR519	029	GASKET	RUBBER	RED
DRAWING NO:	DATE: 07/08/19"	BODY	BRASS	NICKEL
	UNIT: mm	INSULATOR	TEFLON	WHITE
	SCALE: 2.5/1	BODY	BRASS	NICKEL
		NO. DESCRIPTION	MATERIAL	FINISH